

# STC 10.113

Easy to control



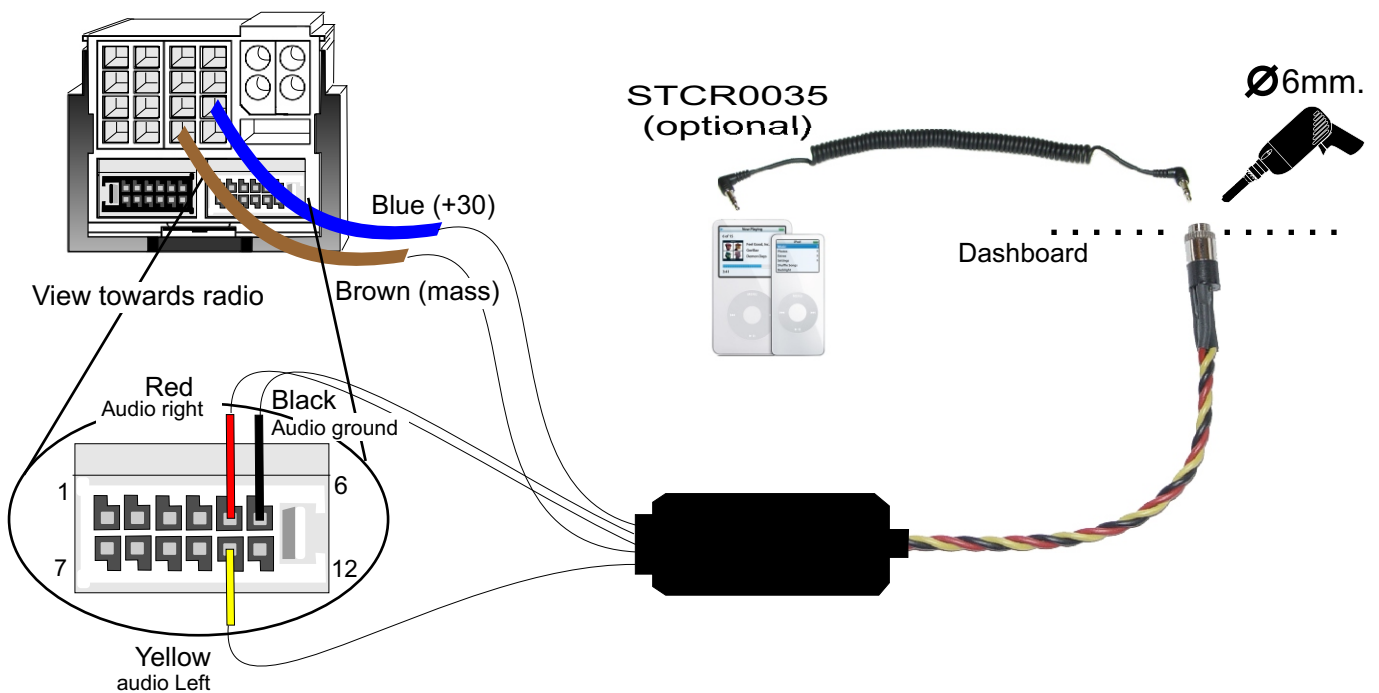
Car model : all models equipped with 40 pole radio connector

Appliance kit : Create amplified external AUX input for Mp3 / iPod

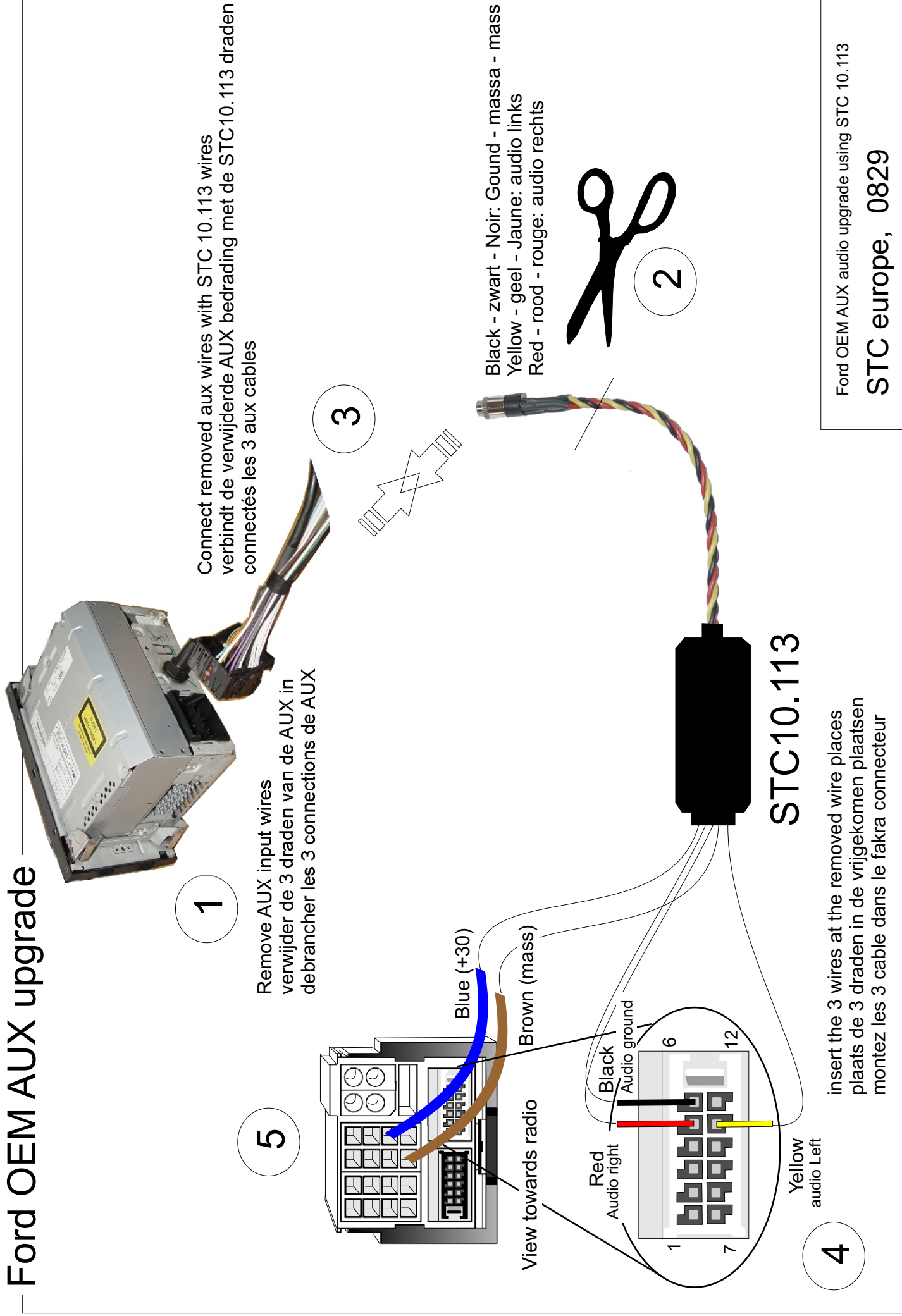


## Connect STC 10.113

- 1 - Remove radio
- 2- Remove quadlock connector from the back of the radio
- 3 - If present, remove cable terminals 5, 6 and 11 of connector part C
- 4 - Insert the black terminal of STC 10.113 in cavity 6 of connector part C
- 5 - Insert the yellow terminal of STC 10.113 in cavity 5 of connector part C
- 6 - Insert the red terminal of STC 10.113 in cavity 11 of connector part C
- 7 - Connect the brown wire to the car ground (pin 12 of B)
- 8 - Connect the blue wire to 12v. of the car battery (+30) (pin 15 of B)
- 9 - Connect STCR0035 (optional) between Mp3 player / iPod and female 3.5mm plug
- 10 - Reconnect the radio connector
- 11 - Press "MENU" button on car radio for +2 sec and select "AUX ON"
- 12 - Select AUX on radio
- 13 - Test functionality of Mp3 player / iPod
- 14 - Mount radio back into place



# Ford OEM AUX upgrade



Ford OEM AUX audio upgrade using STC 10.113

**STC europe, 0829**